

Cisco Video Surveillance 6900 Series High Definition PTZ IP Camera

Product Overview

Cisco® Video Surveillance 6900 Series High Definition PTZ IP Cameras are designed for superior performance, image quality, and ease of deployment. These cameras use a 1/2.8" SONY EH6300 EXmor™ CMOS Sensor that allows for up to a 20x optical zoom while viewing and recording at 1080p resolutions.

The cameras come with integrated camera optics packages. They offer 360° continuous pan rotation and 16 PTZ presets. In addition, the cameras support an SD/SDHC slot for local storage that can be used if network connectivity is lost.

Cisco Video Surveillance 6900 Series IP Cameras support two simultaneous video streams. The streams can be compressed in MJPEG and H.264 formats across several resolution configurations, and can be configured in a variety of frame rates and bit rates or additional bandwidth administration. All Cisco Video Surveillance 6900 Series IP Cameras feature a 1/2.8-inch CMOS for increased sensitivity, and low light technology that allows the cameras to compensate in scenes where minimal light is present. In addition, the cameras feature built-in motion detection and advanced wide dynamic range (WDR) that enables the system to compensate in scenes where dramatic contrasts in lighting are present.

For unparalleled simplicity of setup and monitoring, the cameras support the Cisco Medianet interface. When connected to a Cisco switch that also supports Medianet, the switch recognizes the camera as a video endpoint and then uses SmartPort macros to set the right network parameters for the video stream on the network. In addition, the camera can be automatically discovered and configured when connected to Cisco Video Surveillance Manager 7.0, thereby minimizing installation time and cost.

Cisco Video Surveillance 6900 Series High Definition PTZ IP Cameras offer a variety of benefits, including:

High Definition Video from a Full Range of Motion: The camera streams crisp and clear 1080p (1920 x 1080) video at 30 frames per second through a continuous 360° pan rotation, 220° tilt angle range, and 20x optical zoom. The camera operator can remotely control the camera to track subjects or reposition the camera's field of view.

Camera Presets: Operators can program up to 16 preset locations that the camera can automatically cycle through while recording.

Wide Dynamic Range: The camera employs powerful digital imaging technology, allowing it to capture high-quality images in a wide variety of lighting conditions. It uses a progressive scan image sensor with global electronic shuttering to ensure natural color rendition, zero blooming and smear and minimal motion blurring.

Outdoor Ready: The housing for the camera is IP66 rated, allowing for outdoor mounting without an additional enclosure.

Day/night operation: The camera provides true day/night functionality and includes an IR filter that automatically switches to night mode in low-light scenes. This function can be set to manual, automatic, or scheduled control.

Open API: Support for ONVIF 2.0 allows for standards based interoperability and communications with other ONVIF appliances.

Flexible power options: The camera supports Power over Ethernet (PoE+) 802.3at, High PoE, or 24 VAC power through an external power supply.

Simple Web Interface: The Cisco Video Surveillance 6900 Series supports Internet Explorer 8.0 for remote setup and administration.

Privacy Masking: Privacy masking is used to conceal user-defined privacy areas that cannot be viewed by an operator. The Cisco Video Surveillance 6900 Series supports up to four privacy masked regions. A masked area will appear on the screen as a solid, colored window.

Product Specifications

Table 1 lists the product specifications for the Cisco Video Surveillance 6900 Series.

Table 1. Product Specifications

General	
Available Languages	English
Supported Protocols	TCP/IP, UDP/IP (Unicast, Multicast IGMP), UPnP, DNS, DHCP, RTP, RTSP, NTP, IPv4, SNMP, QoS, HTTP, HTTPS, LDAP (client), SSH, SSL, SMTP, FTP, mDNS (Bonjour)
Security Access	Password-protected
Certifications/Ratings/Patents	CE, Class A FCC, Class A UL/cUL Listed C-Tick
Scanning System	Progressive
Image Sensor	1/2.8-inch CMOS
Lens	4.7 to 94 mm
Zoom	20x optical
PTZ Speed	Pan speed: 0.05° to 450°/sec Tilt speed: 0.05° to 450°/sec
Horizontal Angle of View	55.4° (W) to 2.9° (T)
Minimum Illumination	<ul style="list-style-type: none"> • Color: 0.05 lux • B/W: 0.05 lux
White Balance	Automatic with manual override
Shutter Speed	1/1 sec to 1/10000 sec Electronic
Iris Control	Automatic, with manual override
Gain Control	Automatic/OFF
Wide Dynamic Range	86dB
Motion Detection	Integrated

Electrical	
Ports	RJ-45 connector for 100BASE-TX
Cabling Type	Cat5 or better for 100BASE-TX
Input Power	AC: 30W (-40 to 55°C) PoE+: 20W (-5 to 55°C) High PoE: 30W (-40 to 55°C)
Alarm Inputs	4
Auxiliary Outputs	2
Pan Movement	360° continuous pan rotation
Vertical Tilt	220° (+20° above horizon)
Audio	
Streaming	Bidirectional; full- or half-duplex
Input/Output	Terminal connector
Compression	G.711 A-Law, G.711 U-Law
Video	
Video Encoding	H.264 and MJPEG
Video Streaming	<ul style="list-style-type: none"> • Single-stream H.264 or MJPEG up to 1080p (1920 x 1080) @ 30 fps • Dual-stream H.264 and MJPEG <ul style="list-style-type: none"> ◦ Primary stream programmable up to 1280 x 720 @ 30 fps ◦ Secondary stream programmable up to 960 x 544 @ 15 fps
Resolution and Frame Rate (H.264)	Refer to Table 2 and Table 3
Resolution and Frame Rate (MJPEG)	Refer to Table 2 and Table 3
Weight	3.4 Kg
Operating Temperature	AC 24V: -40 to 55°C PoE+: -5 to 55°C High PoE: -40 to 55°C
Operating Humidity	Humidity 10% to 90% non-condensing
Outdoor Rating	IP66 when installed properly

Table 2 lists the video stream support for the Cisco Video Surveillance 6900 Series for 16:9 aspect ratios.

Table 2. Video Stream Support for 16:9 Aspect Ratios

Primary (H.264)	Maximum fps	Secondary (H.264 or MJPEG)	Maximum fps
1920 x 1080	30	NA	-
1920 x 1080	15	1024 x 576 960 x 544 768 x 432 704 x 400 640 x 368 352 x 208 320 x 192 192 x 112 160 x 96	15

Primary (H.264)	Maximum fps	Secondary (H.264 or MJPEG)	Maximum fps
1536 x 864	30	1024 x 576 960 x 544 768 x 432 704 x 400 640 x 368 352 x 208 320 x 192 192 x 112 160 x 96	15
1472 x 832	30	1024 x 576 960 x 544 768 x 432 704 x 400 640 x 368 352 x 208 320 x 192 192 x 112 160 x 96	15
1280 x 720	30	1024 x 576 960 x 544 768 x 432 704 x 400 640 x 368 352 x 208 320 x 192 192 x 112 160 x 96	15
1024 x 576	30	1024 x 576 960 x 544 768 x 432 704 x 400 640 x 368 352 x 208 320 x 192 192 x 112 160 x 96	15
960 x 544	30	960 x 544 768 x 432 704 x 400 640 x 368 352 x 208 320 x 192 192 x 112 160 x 96	15
768 x 432	30	768 x 432 704 x 400 640 x 368 352 x 208 320 x 192 192 x 112 160 x 96	15

Primary (H.264)	Maximum fps	Secondary (H.264 or MJPEG)	Maximum fps
704 x 400	30	704 x 400 640 x 368 352 x 208 320 x 192 192 x 112 160 x 96	15
640 x 368	30	640 x 368 352 x 208 320 x 192 192 x 112 160 x 96	15
352 x 208	30	352 x 208 320 x 192 192 x 112 160 x 96	15
320 x 192 192 x 112 160 x 96	30	320 x 192 192 x 112 160 x 96	15
192 x 112 160 x 96	30	192 x 112 160 x 96	15
160 x 96	30	160 x 96	15

Table 3 lists the video stream support for the Cisco Video Surveillance 6900 Series for 4:3 aspect ratios.

Table 3. Video Stream Support for 4:3 Aspect Ratios

Primary (H.264)	Maximum fps	Secondary (H.264 or MJPEG)	Maximum fps
720 x 480/576	30/25	720 x 480/576 704 x 480/576 352 x 240/288	15
704 x 480/576	30/25	704 x 480/576 352 x 240/288	15
352 x 240/288	30/25	352 x 240/288	15

Software

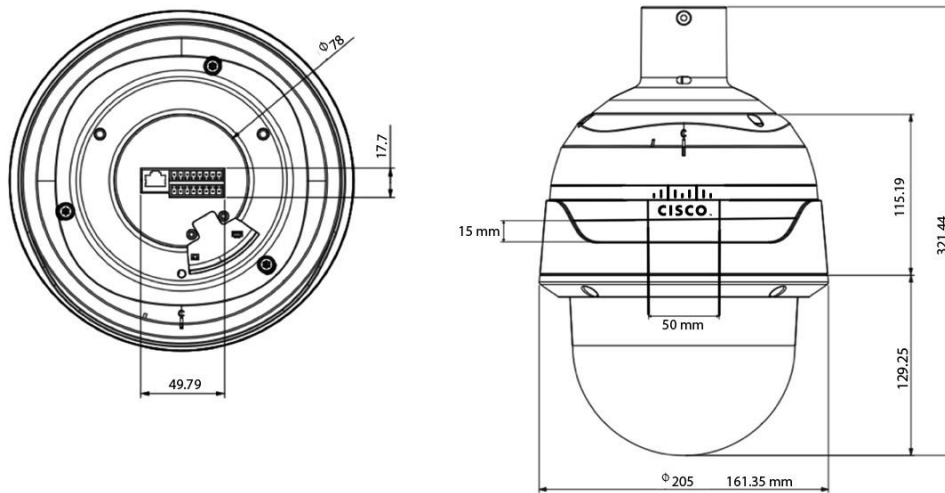
Table 4 describes the primary features of the Cisco Video Surveillance 6900 PTZ IP Camera software.

Table 4. Primary Software Features

Item	Specification
Activity Detection	User-definable alerts with configurable sensitivities and thresholds, email alert, and HTTP notifications
Video Format	NTSC and PAL
Image Settings	White balance, automatic exposure, noise reduction, wide dynamic range, exposure compensation
Overlay Capabilities	Time, date, and text
Selectable Bit Rate	Support for constant bit rate or variable bit rate
IP Filtering	Ability for users to enter a list of allowed or blocked IP addresses for viewing video and configuring camera settings
Discovery	Cisco Discovery Protocol and Bonjour Zero-Configuration discovery
Configuration	<ul style="list-style-type: none"> • Browser-based using Internet Explorer 8.0 or later • Two levels of user access with password protection
Security	Support for IEEE 802.1X authentication

Figure 1 shows the dimensions of Cisco Video Surveillance 6900 Series IP Cameras. All dimensions are in millimeters.

Figure 1. Cisco Video Surveillance 6900 Series IP Camera Dimensions



Warranty Information

Find warranty information on Cisco.com at the [Product Warranties](#) page.

Ordering Information

Availability

Cisco Video Surveillance IP Cameras are available through Cisco Advanced Technology Provider (ATP) program partners. Table 5 lists part numbers for the Cisco Video Surveillance 6900 Series.

Table 5. Ordering Information

Product Name	Part Number
Cisco Video Surveillance HD Outdoor IP PTZ Camera	CIVS-IPC-6930
20cm Extension Pipe with Adapter	CIVS-PA-EXT=
PTZ to 6KA Accessory Adapter	CIVS-PA-PTZADPTR=

Cisco Services

Cisco offers a wide range of services programs to accelerate customer success. These innovative programs are delivered through a unique combination of people, processes, tools, and partners, resulting in high levels of customer satisfaction. Cisco services help you to protect your network investment, optimize network operations, and prepare your network for new applications to extend network intelligence and the power of your business. For more information about Cisco Services, see Cisco Technical Support Services or Cisco Advanced Services.

For More Information

For more information about Cisco Video Surveillance IP Cameras, visit <http://www.cisco.com/go/physec> or contact your local account representative.



Americas Headquarters
Cisco Systems, Inc.
San Jose, CA

Asia Pacific Headquarters
Cisco Systems (USA) Pte. Ltd.
Singapore

Europe Headquarters
Cisco Systems International BV Amsterdam,
The Netherlands

Cisco has more than 200 offices worldwide. Addresses, phone numbers, and fax numbers are listed on the Cisco Website at www.cisco.com/go/offices.

Cisco and the Cisco logo are trademarks or registered trademarks of Cisco and/or its affiliates in the U.S. and other countries. To view a list of Cisco trademarks, go to this URL: www.cisco.com/go/trademarks. Third party trademarks mentioned are the property of their respective owners. The use of the word partner does not imply a partnership relationship between Cisco and any other company. (1110R)